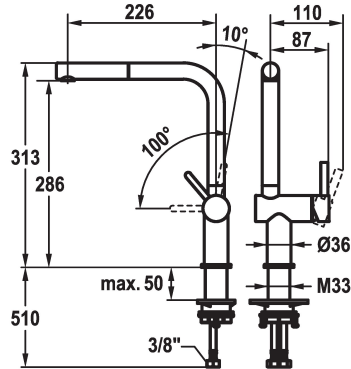


## KWC BEVO E Lever mixer - Kitchen

Modell-Linie: BEVO E | 10.531.103.700FL  
Taps | Manual taps



### KWC-No.

**125350**  
stainless steel, A 225, flexible connection hoses

**125351**  
industrial black, A 225, flexible connection hoses

- \* Lever mixer
- \* Lever installation only possible on the right side
- Child safety: cold water flow in lever position towards the front
- \* TouchProtect - anti-scald protection thanks to the "double skin" principle
- \* Pull-out aerator
  - Neoperl® Caché®
  - up to 600 mm pull-out length
- QuickConnect - Simple hose connection system
- \* Hose guide, swivelling 150°

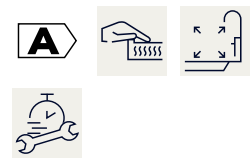
- \* EasyLock - a pull-out spray that easily slides back into place
- \* OptimalSpace - ample space for washing or working
- \* KWC cartridge S 25
  - with ceramic discs
  - flow rate and temperature continuously variable
- \* Flexible connection hoses 3/8"
- \* QuickInstallation - Fastening via threaded connection with locking screws
- \* Mounting hole size ø35 mm



### Technical Data

Energy Label
Flow rate
Spray: Flow rate
Connection
Spout
Handling
Kitchenspray
Color_code
Installation type
Faucet_typ
Acoustic group
Projection_A

A
8 l/min (3 bar)
5,1
Thermosatic
2
2
2
stainless steel
Shut-off valve
Lever mixer
Shut-off valve
A 225



### Spare Parts

## KWC BEVO E Lever mixer - Kitchen

Modell-Linie: BEVO E | 10.531.103.700FL  
Taps | Manual taps



**Service key Neoperl © Caché ©, TJ, 18 mm, green**

---

**634729**  
CACHETJ

---

**Cartridge S 25**

---

**538711**  
Z.536.032

---